

- Low-loss RF SAW filter for mobile systems
- Low amplitude ripple
- No matching network required for operation at 50Ω
- Ceramic package for Surface Mounted Technology (SMT)
- Lead-free production and RoHS compliant

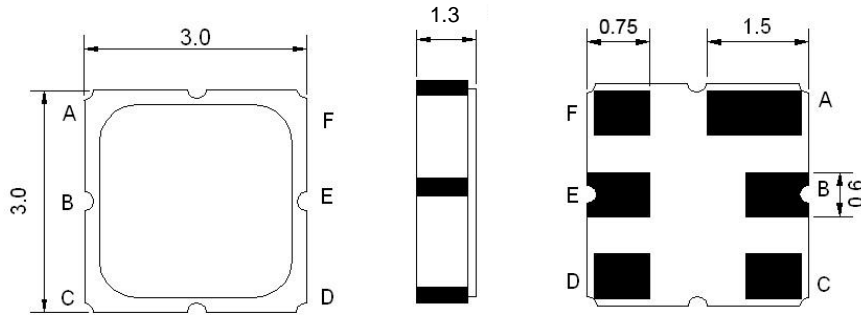


Electrical Characteristics

MAXIMUM RATING				
PARAMETERS DESCRIPTION	UNIT	MINIMUM	TYPICAL	MAXIMUM
Operating Temperature Range	°C	-40	-	+85
Storage Temperature Range	°C	-40	-	+85
Maximum DC Voltage	V _{DC}	-	-	12
Maximum Input Power Level	dBm	-	-	10
Source Impedance	Ω	-	50	-
Load Impedance	Ω	-	50	-
Length x Width	mm ²	-	3.0 x 3.0	-
Height	mm	-	-	1.3

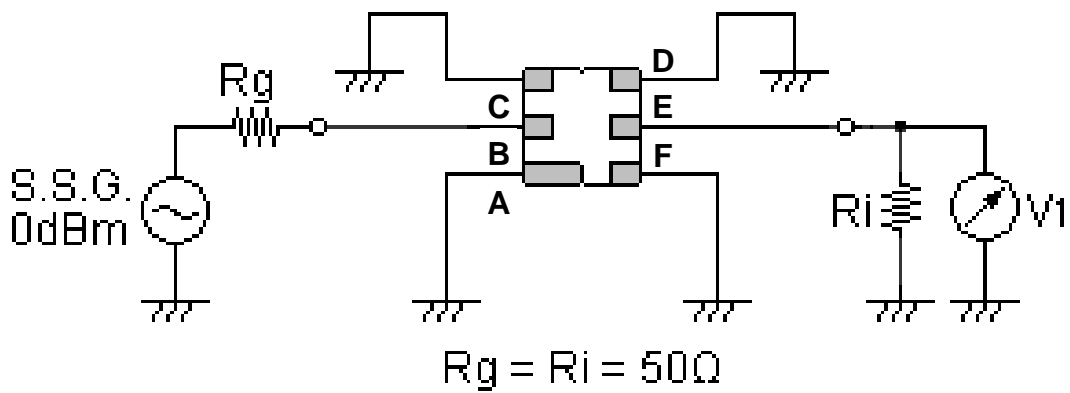
ELECTRICAL SPECIFICATION				
PARAMETERS DESCRIPTION	UNIT	MINIMUM	TYPICAL	MAXIMUM
Center Frequency (Fo)	MHz	-	737	-
Insertion Loss @ 728.00 ~ 746.00MHz	dB	-	1.9	3.0
Amplitude Ripple (p-p) @ 728.00 ~ 746.00MHz	dB		0.7	1.5
Group Delay Ripple @ 728.00 ~ 746.00MHz	nS			70
Absolute Attenuation:				
0.30 ~ 620.00 MHz	dB	25	37	
620.00 ~ 641.00 MHz	dB	20	37	
698.00 ~ 716.00 MHz	dB	20	37	
776.00 ~ 1350.00 MHz	dB	20	38	
1396.00 ~ 1432.00 MHz	dB	20	48	
1440.00 ~ 1500.00 MHz	dB	20	48	
1500.00 ~ 2690.00 MHz	dB	30	45	
Input / Output VSWR @ 728.00 ~ 746.00MHz			1.8	2.2

Package Dimensions



Pin Description	
B	Input
E	Output
A, C, D, F	Ground

Testing Environment



Frequency Characteristics

